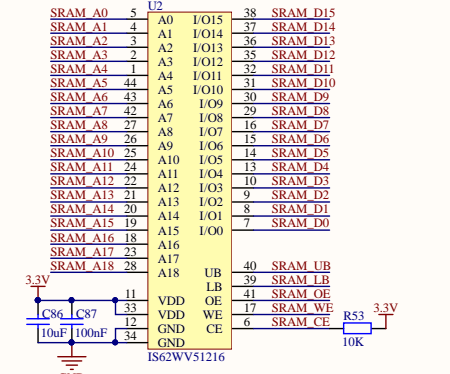
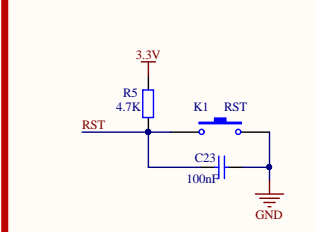
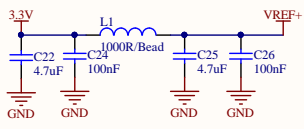
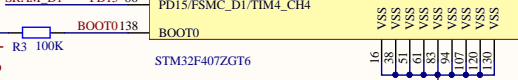
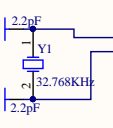
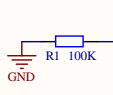
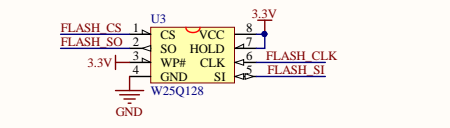


PA0	34	U1	PA0-WKUP/U2_CTS/U4_TX/ETH_MII_CR5/TIM2_CH1_ETR/TIM5_CH1/TIM8_ETR/ADC123_IN0	PE0/TIM4_ETR/FSMC_NBL0/DCML_D2	141	PE0	SRAM_LB
PA1	35		PA1/U2_RTS/U4_RX/ETH_RMII_REF_CLK/ETH_MII_RX_CLK/TIM2_CH2/TIM5_CH2/ADC123_IN1	PE1/FSMC_NBL1/DCML_D3	142	PE1	SRAM_UB
TX2	PA2	36	PA2/U2_TX/TIM2_CH3/TIM5_CH3/TIM9_CH1/ETH_MDIO/ADC123_IN2	PE2/TRACECLK/FSMC_A23/ETH_MII_TXD3	1	PE2	
RX2	PA3	37	PA3/U2_RX/TIM2_CH4/TIM5_CH4/TIM9_CH2/OTG_HS_ULPI_D0/ETH_MII_COL/ADC123_IN3	PE3/TRACED0/FSMC_A19	2	PE3	
PA4	40		PA4/SPI1_NSS/U2_CK/DCML_HS/NC/OTG_HS_SOF/I2S3_WS/DAC1_OUT/ADC12_IN4	PE4/TRACED1/FSMC_A20/DCML_D4	3	PE4	
PA5	41		PA5/SPI1_SCK/OTG_HS_ULPI_CK/TIM2_CH1_ETR/TIM8_CH1N/DAC2_OUT/ADC12_IN5	PE5/TRACED2/FSMC_A21/TIM9_CH1/DCML_D6	4	PE5	
PA6	42		PA6/SPI1_MISO/TIM1_BKIN/TIM3_CH1/TIM8_BKIN/TIM13_CH1/DCML_PIXCLK/ADC12_IN6	PE6/TRACED3/FSMC_A22/TIM9_CH2/DCML_D7	5	PE6	
PA7	43		PA7/SPI1_MOSI/TIM1_CH1N/TIM3_CH2/TIM8_CH1N/TIM14_CH1/ETH_MII_RX_DV/ETH_RMII_CR5_DV/ADC12_IN7	PE7/FSMC_D4/TIM1_ETR	58	PE7	SRAM_D4
PA8	100		PA8/TIM1_CH1/U1_CK/I2C3_SCL/MCO1/OTG_FS_SOF	PE8/FSMC_D5/TIM1_CHN	59	PE8	SRAM_D5
PA9	102		PA9/TIM1_CH2/U1_TX/I2C3_SMB/OTG_FS_VBUS/DCML_D0	PE9/FSMC_D6/TIM1_CH1	60	PE9	SRAM_D6
PA10	103		PA10/TIM1_CH3/U1_RX/OTG_FS_ID/DCML_D1	PE10/FSMC_D7/TIM1_CH2	63	PE10	SRAM_D7
PA11	104		PA11/TIM1_CH4/U1_CTS/CAN1_RX/OTG_FS_DM	PE11/FSMC_D8/TIM1_CH2	64	PE11	SRAM_D8
PA12	105		PA12/TIM1_ETR/U1_RTS/CAN1_TX/OTG_FS_DP	PE12/FSMC_D9/TIM1_CH3	65	PE12	SRAM_D9
PA13	106		PA13/JTMS_SWIDIO	PE13/FSMC_D10/TIM1_CH3	66	PE13	SRAM_D10
PA14	109		PA14/JTCK_SWCLK	PE14/FSMC_D11/TIM1_CH4	67	PE14	SRAM_D11
PA15	110		PA15/JTDL/SPI1_NSS/SPI3_NSS/TIM2_CH1_ETR/I2S3_WS	PE15/FSMC_D12/TIM1_BKIN	68	PE15	SRAM_D12
PB0	46		PB0/TIM1_CH2N/TIM3_CH3/TIM8_CH2N/OTG_HS_ULPI_D1/ETH_MII_RXD2/ADC12_IN8	PF0/FSMC_A0/I2C2_SDA	10	PF0	SRAM_A0
PB1	47		PB1/TIM1_CH3N/TIM3_CH4/TIM8_CH3N/OTG_HS_INTN/ETH_MII_RXD3/ADC12_IN9	PF1/FSMC_A1/I2C2_SCL	11	PF1	SRAM_A1
PB2	48		PB2/BOOT1	PF2/FSMC_A2/I2C2_SMB	12	PF2	SRAM_A2
FLASH_CLK	PB3	133	PB3/JTDO/TRACESWO/TIM2_CH2/SPI1_SCK/SPI3_SCK/I2S3_CK	PF3/FSMC_A3/ADC3_IN4	13	PF3	SRAM_A3
FLASH_SO	PB4	134	PB4/INTRST/TIM3_CH1/SPI1_MISO/SPI3_MISO/I2S3ext_SD	PF4/FSMC_A4/ADC3_IN5	14	PF4	SRAM_A4
FLASH_SI	PB5	135	PB5/TIM3_CH2/SPI1_MOSI/SPI3_MOSI/CAN2_RX/I2C2_SMB/OTG_HS_ULPI_D7/ETH_PPS_OUT/DCML_D10/I2S3_SDP/FSM_C5/ADC3_IN14	PF5/FSMC_A5/ADC3_IN15	15	PF5	SRAM_A5
	PB6	136	PB6/TIM4_CH1/U1_TX/CAN2_TX/I2C1_SCL/DCML_D5	PF6/TIM10_CH1/FSMC_NIORD/ADC3_IN4	18	PF6	
I2C1_SCL	PB7	137	PB7/TIM4_CH2/U1_RX/FSMC_NL/I2C1_SDA/DCML_VSYN	PF7/TIM11_CH1/FSMC_NREG/ADC3_IN5	19	PF7	
I2C1_SDA	PB9	140	PB9/TIM4_CH3/TIM10_CH1/CAN1_RX/SDIO_D4/ETH_MII_TXD3/I2C1_SCL/DCML_D6	PF8/TIM13_CH1/FSMC_NIOWR/ADC3_IN6	21	PF8	
	PB10	69	PB10/TIM4_CH4/TIM11_CH1/CAN1_TX/SDIO_D5/SPI2_NSS/I2C1_SDA/DCML_D7/I2S2_WS	PF9/TIM14_CH1/FSMC_CD/ADC3_IN7	22	PF9	
	PB11	70	PB11/SPI2_SCK/TIM2_CH3/U3_TX/I2C2_SCL/OTG_HS_ULPI_D3/I2S2_CK	PF10/FSMC_INTR/ADC3_IN8	49	PF10	
	PB12	73	PB12/TIM2_CH4/U3_RX/I2C2_SDA/HS_ULPI_D4/ETH_MII_TX_EN/ETH_RMII_TX_EN	PF11/DCML_D12	50	PF11	SRAM_A6
	PB13	74	PB13/SPI2_MISO/TIM1_BKIN/U3_CK/CAN2_RX/I2C2_SMB/OTG_HS_ID/ETH_MII_TXD0/ETH_RMII_TXD0/I2S3ext_SD/FSMC_A6	PF12/FSMC_NCE4_2/ETH_MII_TX_EN/ETH_RMII_TX_EN	20	PF12	SRAM_A7
FLASH_CS	PB14	75	PB14/SPI2_SCK/TIM1_CH1N/U3_CTS/CAN2_TX/OTG_HS_ULPI_D6/OTG_HS_VBUS/ETH_MII_TXD1/ETH_RMII_TXD1/I2S2_CK	PF13/FSMC_A7	53	PF13	SRAM_A7
	PB15	76	PB15/SPI2_MISO/TIM1_CH2N/TIM8_CH2N/TIM12_CH1/U3_RTS/OTG_HS_DM/I2S2ext_SD	PF14/FSMC_A8	54	PF14	SRAM_A8
			PB15/SPI2_MOSI/TIM1_CH3N/TIM8_CH3N/TIM12_CH2/OTG_HS_DP/I2S2_SD	PF15/FSMC_A9	55	PF15	SRAM_A9
SDIO_SW	PC0	26	PC0/OTG_HS_ULPI_STP/ADC123_IN10	PG0/FSMC_A10	56	PG0	SRAM_A10
	PC1	27	PC1/ETH_MDIO/ADC123_IN11	PG1/FSMC_A11	57	PG1	SRAM_A11
	PC2	28	PC2/SPI2_MISO/OTG_HS_ULPI_DIR/ETH_MII_TXD2/I2S2ext_SD/ADC123_IN12	PG2/FSMC_A12	87	PG2	SRAM_A12
	PC3	29	PC3/SPI2_MOSI/OTG_HS_ULPI_NXT1/ETH_MII_TX_CLK/I2S2_SD/ADC123_IN13	PG3/FSMC_A13	88	PG3	SRAM_A13
	PC4	44	PC4/ETH_MII_RXD0/ETH_RMII_RXD0/ADC12_IN14	PG4/FSMC_A14	89	PG4	SRAM_A14
	PC5	45	PC5/ETH_MII_RXD1/ETH_RMII_RXD1/ADC12_IN15	PG5/FSMC_A15	90	PG5	SRAM_A15
	PC6	96	PC6/TIM3_CH1/TIM8_CH1/U6_TX/SDIO_D6/DCML_D0/I2S2_MCK	PG6/FSMC_INT2	91	PG6	
SDIO_D0	PC8	98	PC8/TIM3_CH2/TIM8_CH2/U6_RX/SDIO_D7/DCML_D1/I2S3_MCK	PG7/FSMC_INT3/U6_CK	92	PG7	
SDIO_D1	PC9	99	PC9/TIM3_CH3/TIM8_CH3/U6_CK/SDIO_D0/DCML_D2	PG8/U6_RTS/ETH_PPS_OUT	93	PG8	
SDIO_D2	PC10	111	PC10/TIM3_CH4/TIM8_CH4/I2C3_SDA/SDIO_D1/DCML_D3/MCO2/I2S3_CKIN	PG9/FSMC_NE2/FSMC_NCE3/U6_RX	124	PG9	
SDIO_D3	PC11	112	PC11/SPI3_SCK/U3_TX/U4_TX/SDIO_D2/DCML_D8/I2S3_CK	PG10/FSMC_NCE4_1/FSMC_NE3	125	PG10	SRAM_CE
SDIO_CLK	PC12	113	PC12/SPI3_MISO/U3_RX/U4_RX/SDIO_D3/DCML_D4/I2S3ext_SD	PG11/FSMC_NCE4_2/ETH_MII_TX_EN/ETH_RMII_TX_EN	126	PG11	
	PC13	7	PC13/R1C_AFI	PG12/FSMC_NCE4/U6_RTS	127	PG12	
	PC14	8	PC14-OSC32_IN	PG13/FSMC_A24/U6_CTS/ETH_MII_TXD0/ETH_RMII_TXD0	128	PG13	
	PC15	9	PC15-OSC32_OUT	PG14/FSMC_A25/U6_TX/ETH_MII_TXD1/ETH_RMII_TXD1	129	PG14	
				PG15/U6_CTS/DCML_D13	132	PG15	
SRAM_D2	PD0	114	PD0/FSMC_D2/CAN1_RX		23	PH0-OSC_IN	
SRAM_D3	PD1	115	PD1/FSMC_D3/CAN1_TX		24	PH1-OSC_OUT	
SDIO_CMD	PD2	116	PD2/TIM3_ETR/U5_RX/SDIO_CMD/DCML_D11		25	RST	
SRAM_OE	PD4	118	PD4/FSMC_CLK/U2_CTS			NRST	
SRAM_WE	PD5	119	PD5/FSMC_NOE/U2_RTS			VBAT	
	PD6	122	PD6/FSMC_NWE/U2_TX			VREF+	
	PD7	123	PD7/FSMC_NE1/FSMC_NCE2/U2_CK			Vref+	
SRAM_D13	PD8	77	PD8/FSMC_D13/U3_TX			Vcap_1	
SRAM_D14	PD9	78	PD9/FSMC_D14/U3_RX			Vcap_2	
SRAM_D15	PD10	79	PD10/FSMC_D15/U3_CK			VDDA	
SRAM_A16	PD11	80	PD11/FSMC_A16/FSMC_CLE/U3_CTS			VSSA	
SRAM_A17	PD12	81	PD12/FSMC_A17/FSMC_ALE/TIM4_CH1/U3_RTS			PDR_ON	
SRAM_A18	PD13	82	PD13/FSMC_A18/TIM4_CH2				
SRAM_D0	PD14	85	PD14/FSMC_D0/TIM4_CH3				
SRAM_D1	PD15	86	PD15/FSMC_D1/TIM4_CH4				



SRAM (1MBytes)



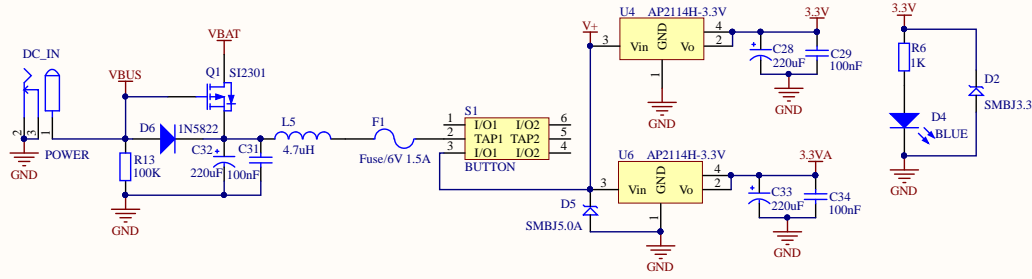
FLASH (16MBytes)

PG6	P1	1	2	PG7	PG5	P2	1	2	PG4
PG8	3	4	PG6	PG3	3	4	PG2		
PG7	5	6	PC8	PD15	5	6	PD14		
PC9	7	8	PA8	PD13	7	8	PD12		
PA13	9	10	PA14	PD11	9	10	PD10		
PA15	11	12	PC10	PD9	11	12	PD8		
PC11	13	14	PC12	PD5	13	14	PD4		
PD0	15	16	PD1	PD15	15	16	PD12		
PD2	17	18	PD3	PD11	17	18	PD10		
PD4	19	20	PD5	PD5	19	20	PD4		
PD6	21	22	PD7	PD13	21	22	PD12		
PG9	23	24	PG10	PE11	23	24	PE10		
PG11	25	26	PG12	PE9	25	26	PE8		
PG13	27	28	PG14	PE7	27	28	PE6		
PG15	29	30	PG3	PG0	29	30	PG1		
PG4	31	32	PG5	PG4	31	32	PG3		
PG6	33	34	PG7	PF12	33	34	PF11		
PG8	35	36	PG9	PB2	35	36	PB1		
PE0	37	38	PE1	PC8	37	38	PC5		
PE2	39	40	PE3	PC4	39	40	PA7		
PE4	41	42	PE5	PA6	41	42	PA5		
PE6	43	44	PC13	PA4	43	44	PA3		
PF0	45	46	PF1	PA2	45	46	PA1		
PF2	47	48	PF3	PA0	47	48	PC3		
PF4	49	50	PF5	PC2	49	50	PC1		
PF6	51	52	RST	PC0	51	52	PF10		
BOOT0	53	54	3.3V	PF9	53	54	PF8		
GND	55	56	VBACK	GND	55	56	PF7		

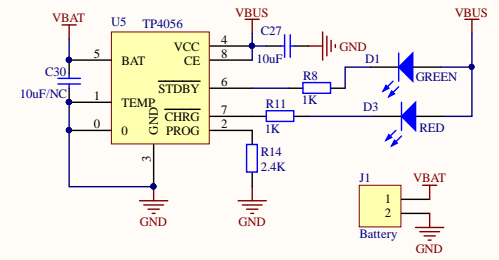
GPIO

RESET

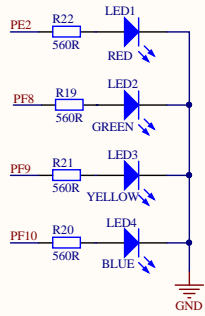
Title			Columbus Core		
Size	Number	www.01Studio.org		Revision	v1.0
A3					
Date:	2020-12-04	Sheet	of		
File:	D:\微云同兴\Core.SchDoc	Drawn By:			



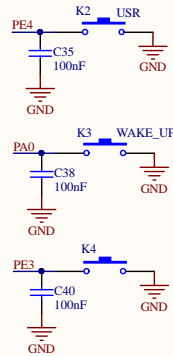
Power



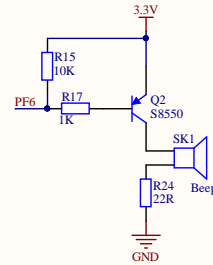
Charge



LEDS



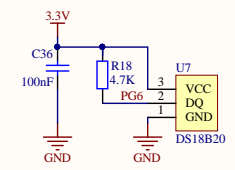
KEYS



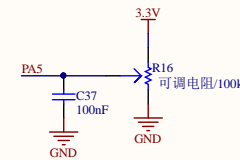
BEEP



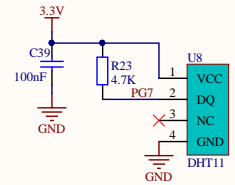
VBack



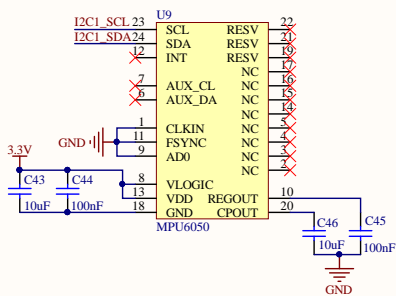
DS8B20



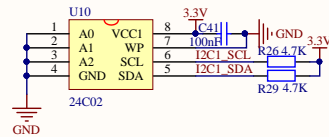
ADC



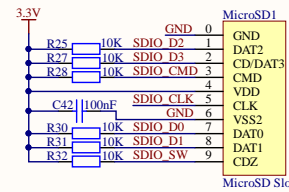
DHT11



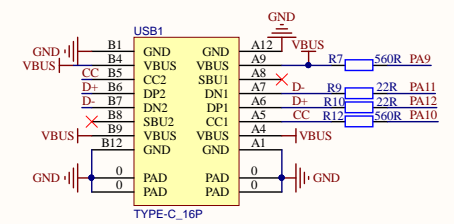
6 Axis Accelerometer



EEPROM

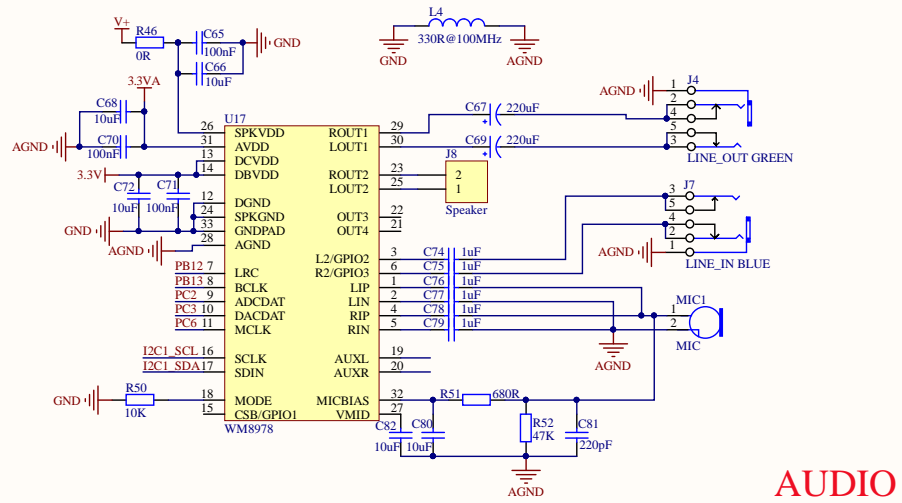


SD Slot

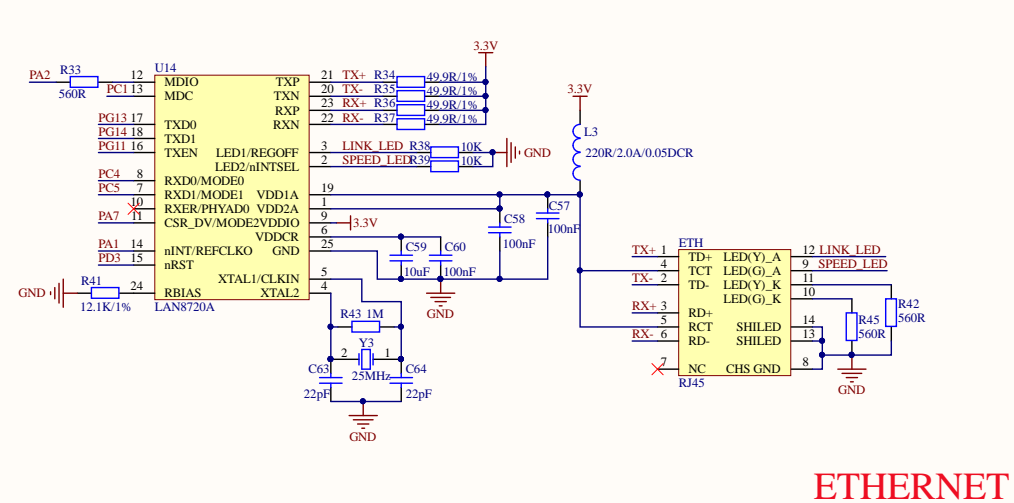


USB

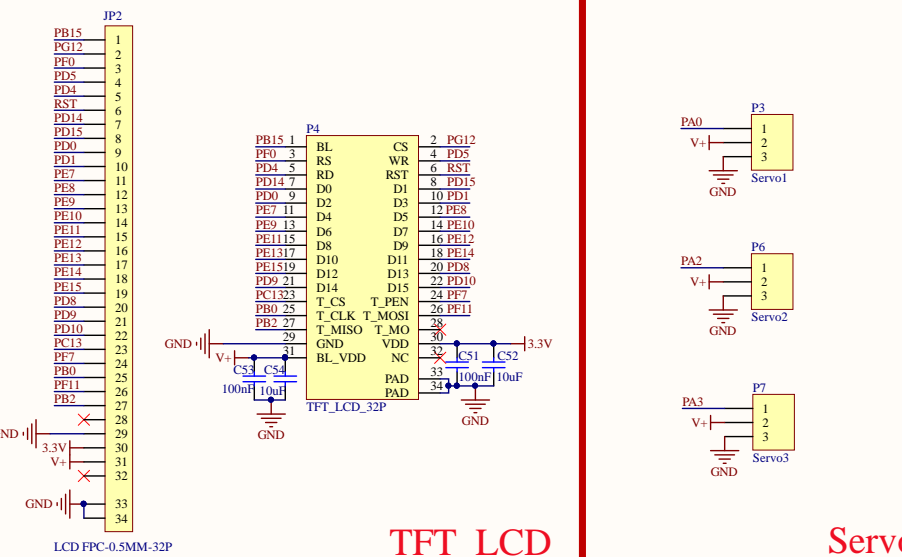
Title			Columbus Devices1		
Size	Number	www.01Studio.org		Revision	of
A3				v1.0	
Date:	2020-12-04	Sheet	of		
File:	D:\微云同步\Devices1.SchDoc	Drawn By:			



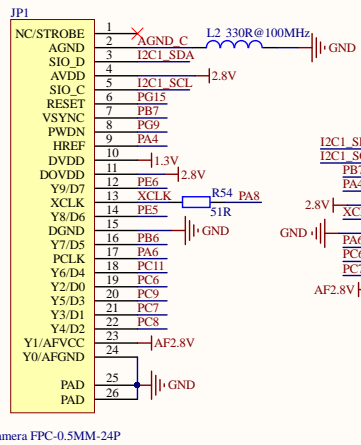
AUDIO



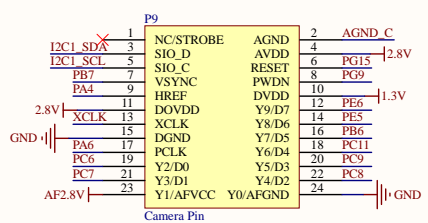
ETHERNET



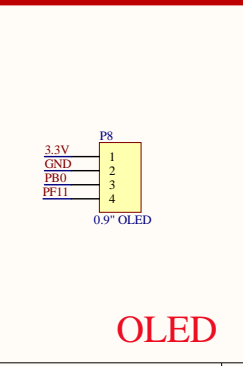
TFT_LCD



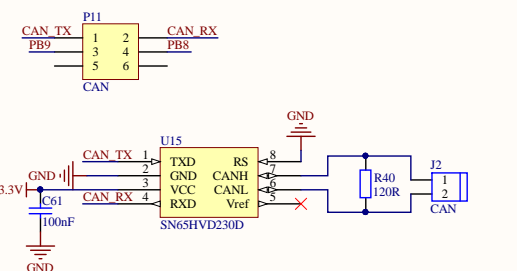
Servo



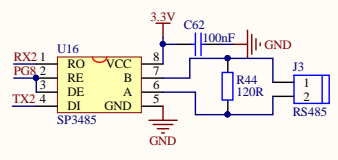
CAMERA



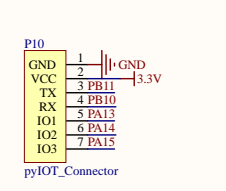
OLED



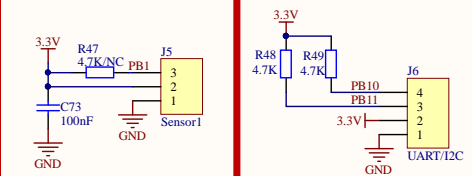
CAN



RS485



pyIOT

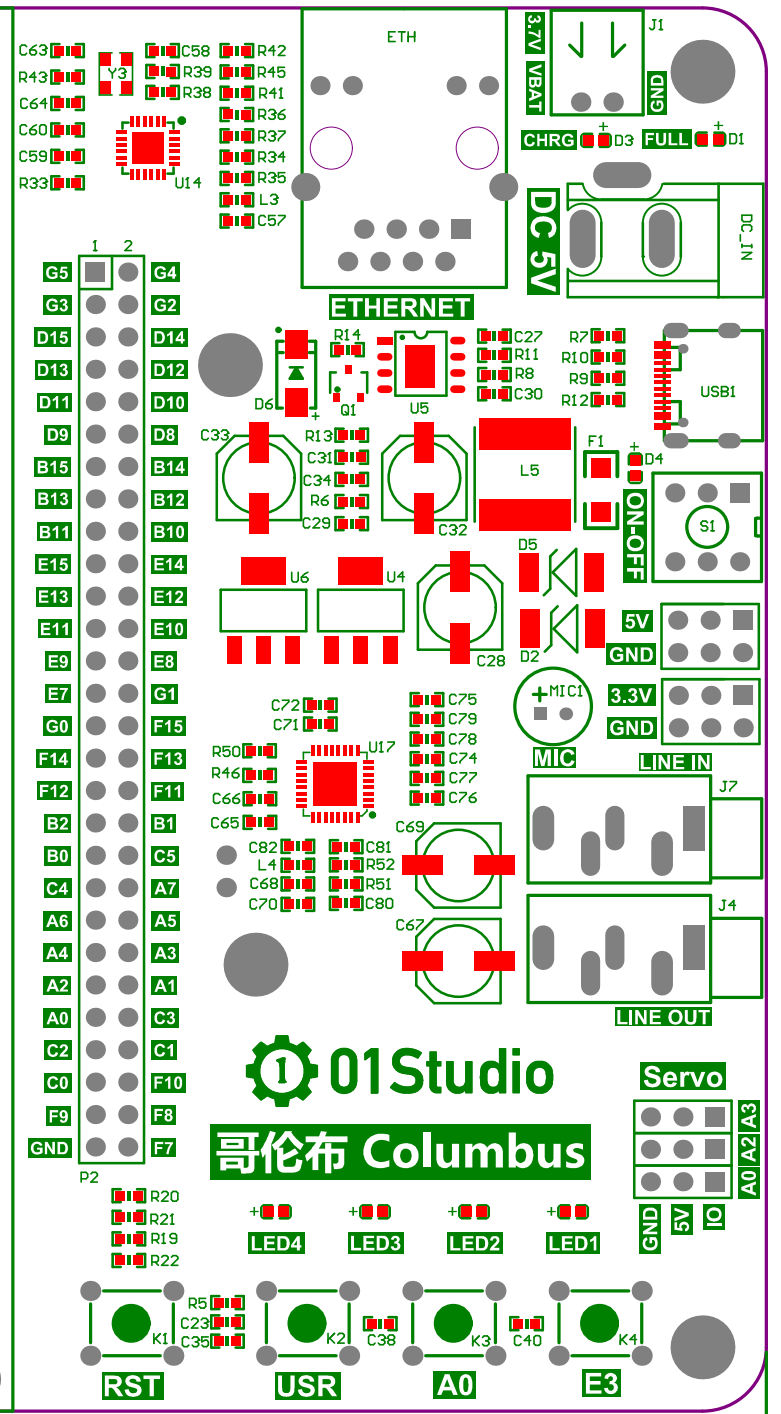
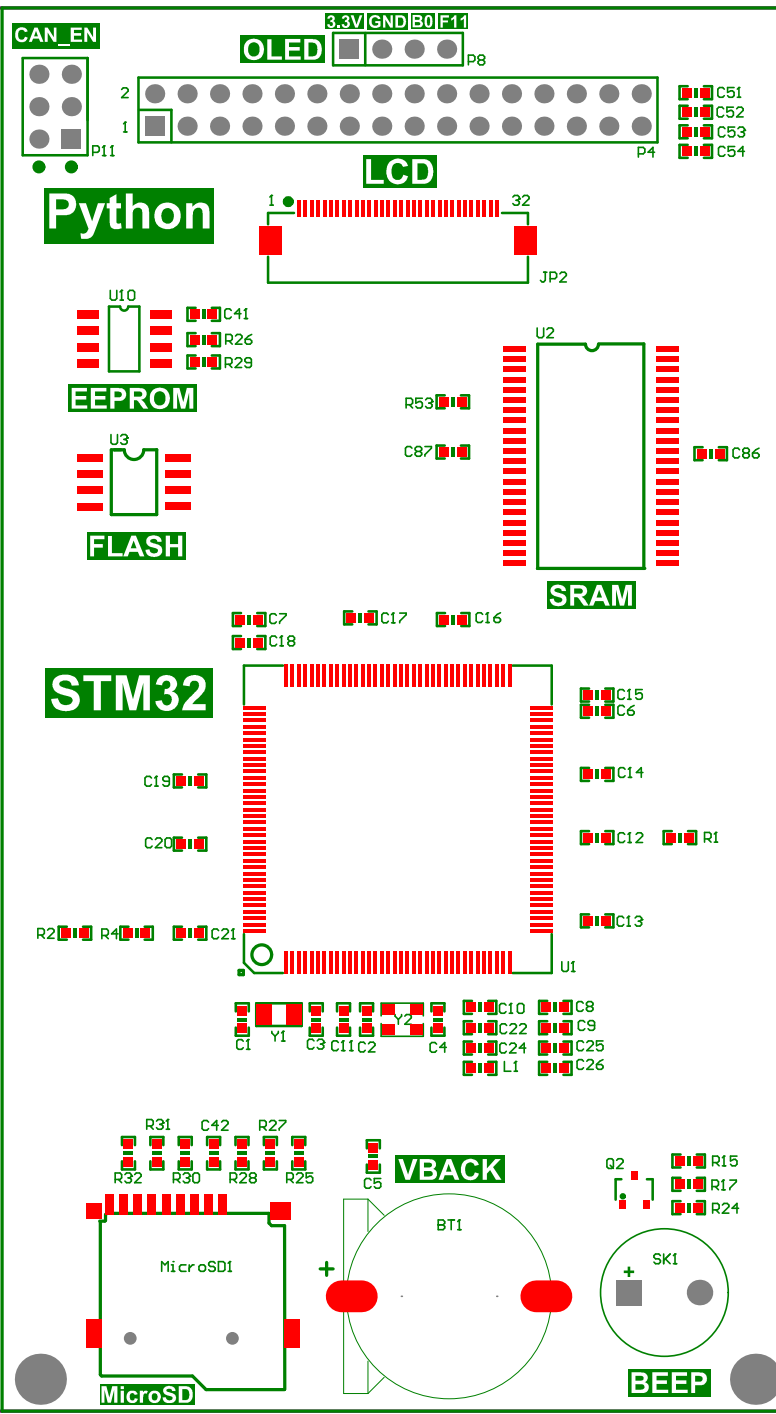
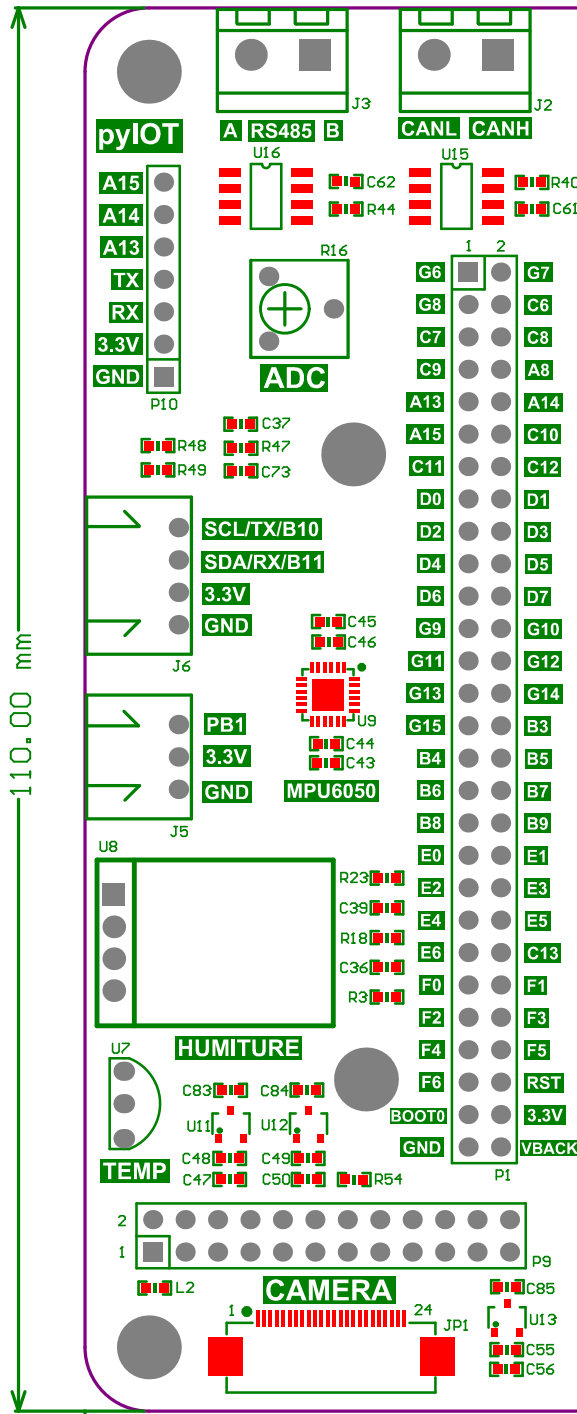


Sensor 3P

I2C/UART

Title			Columbus Devices2		
Size	Number	www.01Studio.org		Revision	v1.0
A3				Sheet	of
Date:	2020-12-04			Drawn By:	
File:	D:\微云同坝\Devices2.SchDoc				

110.00 mm



160.00 mm