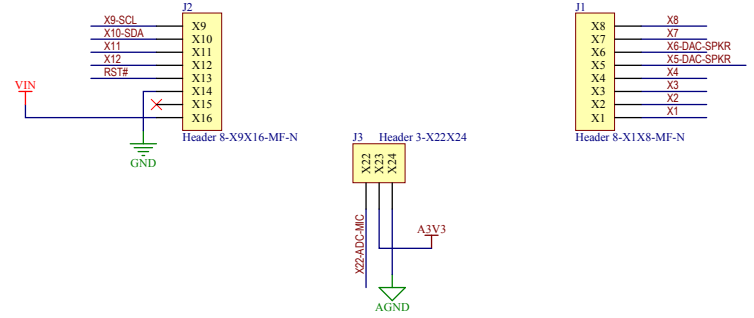
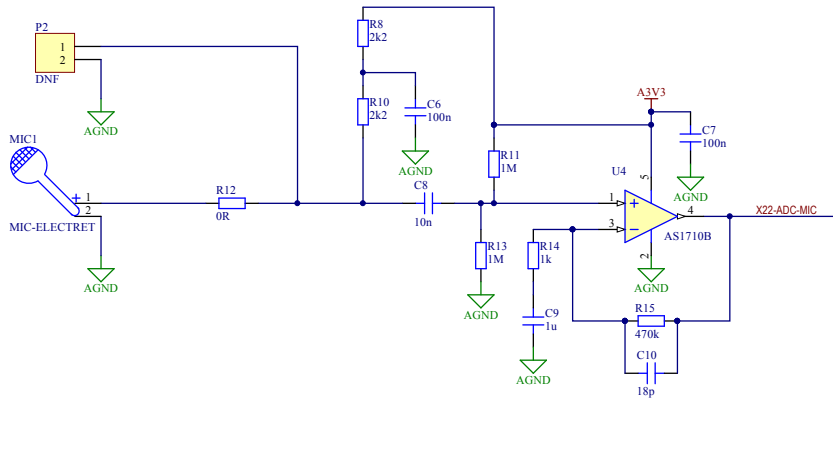


R7/R22 = 8k9 = 50k/5.6 C11 = 10nF for 3kHz LPF
 Lin to Log shunt resistor should be between R/5 and R/6



- Z1 Lego
- MH1 Dia 2.8mm UP
- MH2 Dia 2.8mm UP
- FD1
- FD2
- FD3
- FD4
- BO1
- BO2
- BO3
- BO4

Designed by: Damien George	Project Audio Amplifier skin for pyboard	The Micro Python Board pyboard
PCB design by: Chris Mason	Title Schematic	
(C) 2013, 2014 Damien P. George CC Attribution 3.0 Unported License	Size: A3 Number: AMPv10	Revision:
File: L:_NEW Projects\MICRO PYTHON\AMPv10\AMPv10-sh2.SchDoc	Date: 16/04/2014 Time: 11:57:40 PM	Sheet 2 of 2
A project by Damien George		http://micropython.org

